

PARTI DI RICAMBIO

Le ordinazioni delle parti di ricambio vanno fatte presso i nostri concessionari di zona e devono essere sempre corredate dalle seguenti indicazioni:

- **Tipo, modello e numero di matricola dell'attrezzatura.** Tali dati sono stampigliati nell'apposita targhetta di cui è dotata ogni attrezzatura.
- **Numero di codice della parte richiesta** rilevabile dal catalogo ricambi.
- **Descrizione del particolare e quantità richiesta.**
- **Numero della tavola.**
- **Mezzo di trasporto.** Nel caso questa voce non sia specificata, la Ditta Costruttrice, pur dedicando a questo servizio una particolare cura, non risponde di eventuali ritardi di spedizione dovuti a cause di forza maggiore.

Le spese di trasporto si intendono sempre a carico del destinatario. La merce viaggia a rischio e pericolo del committente anche se venduta franco destino.

NOTA: Il termine **(Dx) Destro** o **(Sx) Sinistro** della macchina o di parti di essa, è inteso guardando la macchina dalla parte posteriore. Le eccezioni saranno indicate.

SPARE PARTS

Orders must be transmitted through our area dealers and should always include the following indications:

- **Type, model and serial number of the machine.** These data are punched on the data plate with which every implement is equipped.
- **Code number of the required spare part.** This will be found in the spare parts catalogue.
- **Description of the part and required quantity.**
- **Table number.**
- **Means of dispatch.** If this item is not indicated, the Manufacturer, while dedicating particular care to this service, shall not be held responsible for delays in delivery caused by cases of force majeure.

Transport expenses shall always be at the consignee's charge. The goods travel at the purchaser's risk and peril even when sold ex destination.

NOTE: The symbols **(Dx) right** and **(Sx) left**, concerning the machine or single parts of it, are referred, as in the figure, to a rear view of them. Exceptions will be indicated.

ERSATZTEILE

Die Bestellungen müssen bei unseren Gebietshändler aufgegeben werden. Bei der Bestellung sind stets die folgenden Angaben zu machen:

- **Typ, Modell und Serien-Nummer des Geräts.** Diese Daten stehen auf dem Typenschild, mit dem jedes Gerät versehen ist.
- **Artikel Nr. der erforderlichen Ersatzteile.** Diese stehen im Ersatzteil-Katalog.
- **Beschreibung des Ersatzteils und die erforderliche Stückzahl.**
- **Tafelnummer.**
- **Versandmittel.** Wenn dieser Punkt nicht spezifiziert wird, haftet die Herstellerfirma nicht für etwaigen Lieferverzögerung aufgrund höherer Gewalt, auch wenn er diesen Service besonders aufmerksam abwickelt.

Die Frachtkosten gehen dagegen immer zu Lasten des Empfängers. Die Ware reist auf Gefahr und Risiko des Auftraggebers, auch wenn frei Haus verkauft vereinbart worden ist.

N.B.: Die Merkzeichen **(Dx) rechts** und **(Sx) links** betreffen eine rückwärtige Aussicht der Maschine oder Teile von ihr (siehe Bild). Ausnahmen werden gezeigt.

PIECES DÉTACHÉES

Les ordres doivent être effectués auprès de nos concessionnaires de zone en précisant les indications suivantes:

- **Type, modèle et numéro de série de la machine.** Ces données sont gravées sur la plaque d'identification de chaque outil.
 - **Numéro de code de la pièce détachée** indiqué sur le catalogue des pièces détachées.
 - **Description de la pièce et quantité requise.**
 - **Numéro de plan.**
 - **Moyen d'expédition.** Si cette rubrique n'est pas indiquée, le Constructeur, bien que soucieux de ce service, ne répond pas des retards d'expédition pour des causes de force majeure. Les frais de transport sont toujours à la charge du destinataire. La marchandise voyage aux risques et périls de l'acheteur même si vendue franco de port.
- N.B.:** Les références **(Dx) droit** et **(Sx) gauche** de la machine ou des parties de la même, est entendue, comme de la figure, en regardant la machine de derrière dans le sens de marche.

RESPUESTOS

Los pedidos han de efectuarse en nuestros concesionarios de zona y deben incluir siempre las siguientes indicaciones:

- **Tipo, modelo y número de matrícula del equipo.** Dichos datos están impresos en la relativa placa presente en el equipo.
- **Número de código de la parte requerida** presente en el catálogo respuestas.
- **Descripción de la pieza y cantidad requerida.**
- **Numero de ilustración.**
- **Medio de transporte.** En caso que este ítem no esté especificado, el Fabricante, aún prestando la debidas consideraciones para este aspecto, no responde por eventuales retardos de env'o debidos a causas de fuerza mayor.

Los gastos de transporte se consideran siempre a cargo del destinatario. La mercadería viaja bajo riesgo y peligro del comprador, incluso cuando se vende franco destino.

N.B.: La referencia **(Dx) derecha** o **(Sx) izquierda** de la máquina o de sus componentes, se entien-de, como en la figura, mirando la máquina por la parte trasera. Se indicarán las excepciones.

PIESE DE SCHIMB

Comandarea pieselor de schimb se va face prin intermediul concesionarilor din zonă și trebuie să fie întotdeauna însoțite de următoarele date:

- **Tipul, modelul și numărul de matricolă al utilajului.** Aceste date se găsesc pe plăcuța de identificare a fiecărui utilaj.
- **Numărul de cod al piesei de schimb cerute,** care se găsește în manual.
- **Descrierea piesei de schimb și cantitatea cerută.**
- **Numărul desenului în care se găsește piesa.**
- **Mijloc de transport.** În cazul în care acesta nu este specificat, Firma Constructoare poate avea un regim special, nu răspunde de eventualele întârzieri de expediere datorate unor cauze de forță majoră.

Cheltuielile de transport sunt suportate de destinatar. Marfa este transportată pe riscul celui care efectuează comanda, chiar dacă marfa este vândută în condiții franco-destinatare.

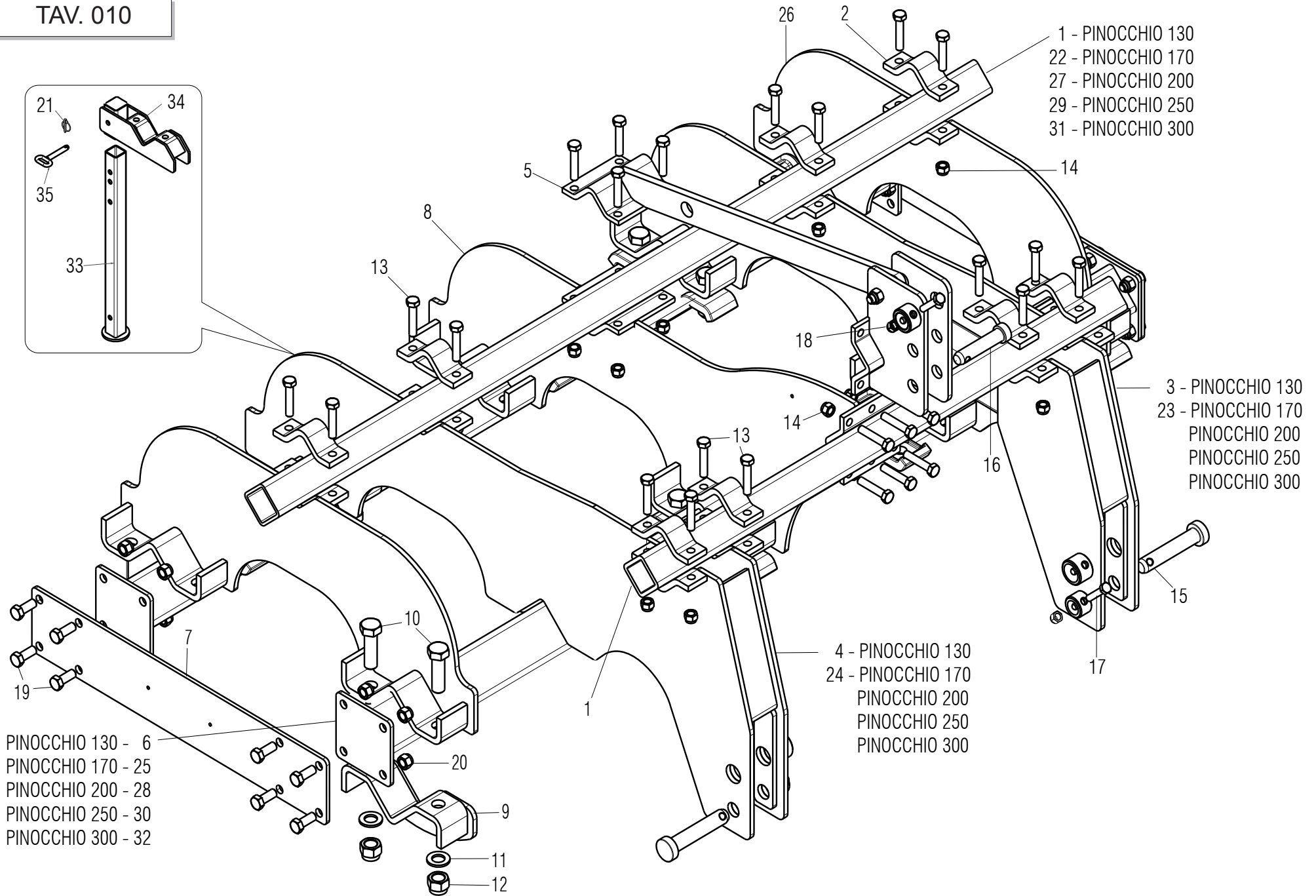
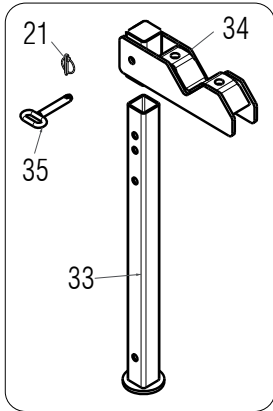
NOTA: Termenul **(Dx) Dreapta** sau **(Sx) Stânga** a utilajului sau a părților acestuia, este privind utilajul din partea posterioară. Excepțiile vor fi indicate.

Nr. Tav.	Descrizione	Pag.	Nr. Tav.	Description	Pag.
TAV. 010	Telaio	4	TAV. 010	Cadre	4
TAV. 020	Elemento operatore	6	TAV. 020	Element operateur	6
TAV. 030	Doppio rullo posteriore meccanico	8	TAV. 030	Double rouleau posterieur mecanique	8
TAV. 040	Ruote di profondità	10	TAV. 040	Roue de profondeur	10
TAV. 050	Supporto kit luci	12	TAV. 050	Soutien kit d'eclairage	12

Nr. Tav.	Description	Pag.	Nr. Tav.	Descripcion	Pag.
TAV. 010	Frame	4	TAV. 010	Bastidor	4
TAV. 020	Operator element	6	TAV. 020	Elemento operadore	6
TAV. 030	Mechanical double rear roller	8	TAV. 030	Doble rodillo posterior mecanico	8
TAV. 040	Depth wheel	10	TAV. 040	Rueda de profundidad	10
TAV. 050	Lighting kit support	12	TAV. 050	Apoyo kit de iluminacion	12

Nr. Tav.	Beschreibung	Pag.	Nr. Tav.	Descriere	Pag.
TAV. 010	Rahmen	4	TAV. 010	Cadru	4
TAV. 020	Betreiber elemente	6	TAV. 020	Element operator	6
TAV. 030	Mechanische Doppelte hintere walze	8	TAV. 030	Rulou dublu posterior mecanic	8
TAV. 040	Tiefenrad	10	TAV. 040	Roată de adâncime	10
TAV. 050	Unterstützung lichter kit	12	TAV. 050	Suport kit lumini	12

TAV. 010



- 1 - PINOCCHIO 130
- 22 - PINOCCHIO 170
- 27 - PINOCCHIO 200
- 29 - PINOCCHIO 250
- 31 - PINOCCHIO 300

- 3 - PINOCCHIO 130
- 23 - PINOCCHIO 170
- PINOCCHIO 200
- PINOCCHIO 250
- PINOCCHIO 300

- 4 - PINOCCHIO 130
- 24 - PINOCCHIO 170
- PINOCCHIO 200
- PINOCCHIO 250
- PINOCCHIO 300

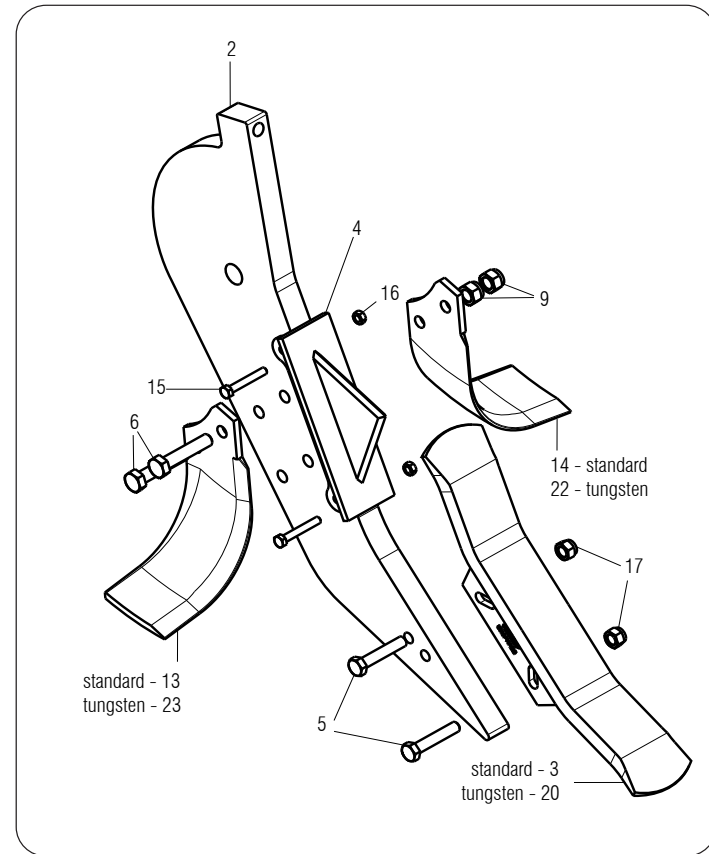
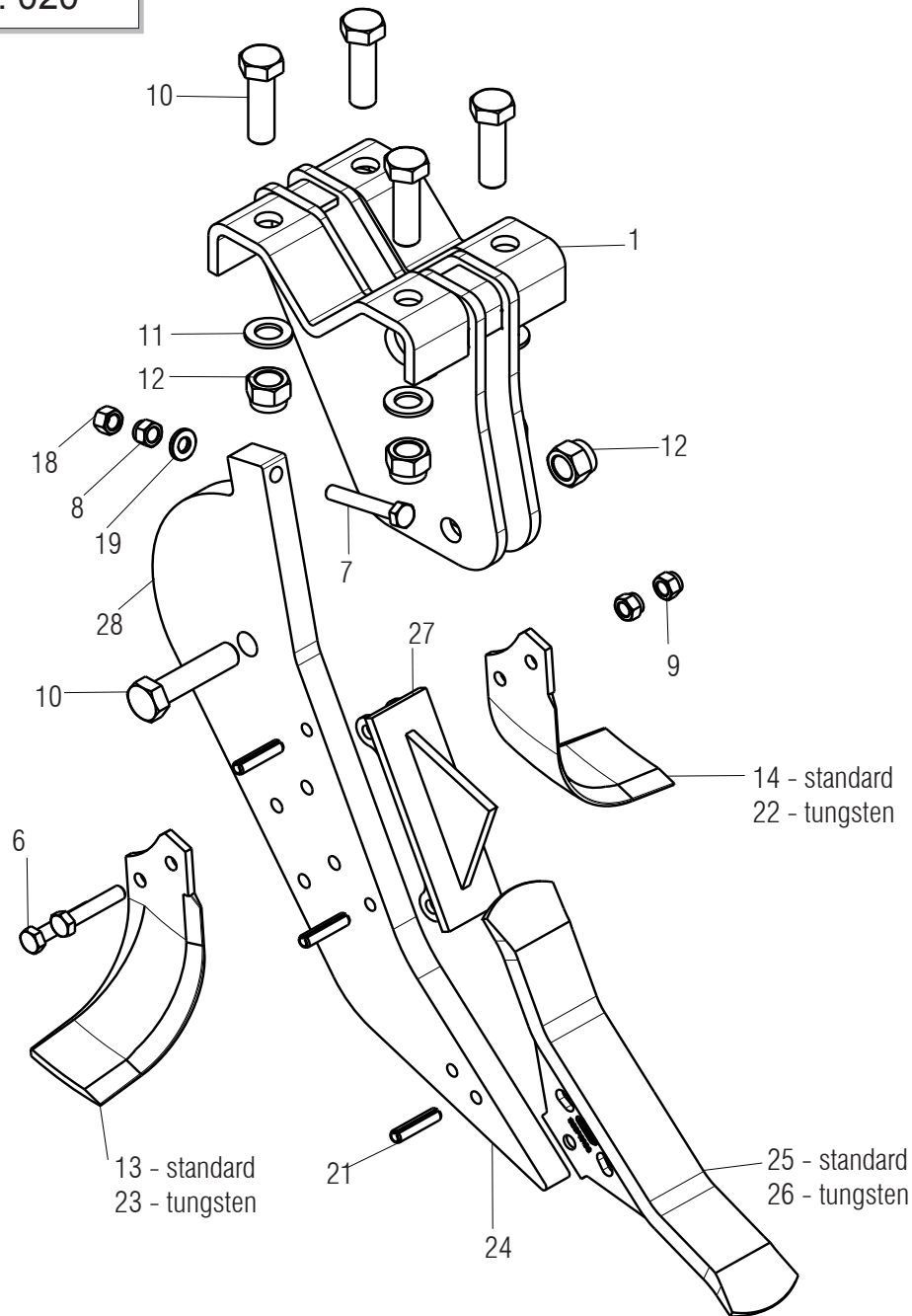
- PINOCCHIO 130 - 6
- PINOCCHIO 170 - 25
- PINOCCHIO 200 - 28
- PINOCCHIO 250 - 30
- PINOCCHIO 300 - 32

TELAIO / FRAME / RAHMEN / CADRE / BASTIDOR / CADRU

TAV. 010

Pos.	Cod.	Descrizione	Description	Benennung	Description	Descripcion	Descriere
1	R17812830	TUB PT.SUPPORT	SUPPORT PIPE	HALTERUNG ROHR	SUPPORT TUBE	TUBO SOPORTO	TUB SUPORT
2	R17812730	SCONTRO A U	STRIKER	ANSCHLAG	BRIDE	ELEMENTO DE EMPALME	BRIDA
3	R17814310	SUPPORTO TELAIO SX PINOCCHIO	FRAME SUPPORT LEFT	RAHMENHALTERUNG LINK	SUPPORT CHASSIS GAUCHE	SOPORTE BASTIDOR IZQUIERDA	SUPPORT SASIU SX
4	R17814300	SUPPORTO TELAIO DX PINOCCHIO	FRAME SUPPORT RIGHT	RAHMENHALTERUNG RECHT	SUPPORT CHASSIS DROIT	SOPORTE BASTIDOR DERECHA	SUPPORT SASIU DX
5	R17812821	ASSIEME 3P	2P ASSEMBLY	3P ZUSAMMENBAU	ASSEMBLEE 3P	ASAMBLEA 3P	ASAMBLU 3P
6	R17814260	SUPPORTO TELAIO	FRAME SUPPORT	RAHMENHALTERUNG	SUPPORT CH-SSIS	SOPORTE BASTIDOR	ANS.SUPPORT SASIU
7	R17812600	PIASTRA DI ATTACCO	FIXING PLATE	KUPPLUNGSPLATTE	PLAQUE DE RACCORD	PLACA DE CONEXIN	PLATBANDA DE PRINDERE
8	R17812801	SUPPORTO TELAIO CENTRALE	FRAME SUPPORT	RAHMENHALTERUNG	SUPPORT CHASSIS	SOPORTE BASTIDOR	SIPORT SASIU
9	R17818930	SCONTRO X TUBO 100	BRACKET PIPE 100	ANSCHLAG ROHR 100	BRIDE TUBE 100	EL.DE EMPALME TUBO 100	BRIDA TUB 100
10	F01020369	VIT.M24X 3X 90 U5737 10.9 ZB	BOLT M24X 3X 90 U5737 10.9ZB	SCHR. M24X 3X 90 U5737 10.9ZB	VIS M24X 3X 90 U5737 10.9ZB	TORN.M24X 3X 90 U5737 10.9ZB	SURUB M24X 3X 90 U5737 10.9ZB
11	G18701590	RONDELLA 25X35X2,5 ZN	WASHER 25 X35 X2,5 ZN	SCHEIBE 25 X35 X2,5 ZN	RONDELLE 25 X35 X2,5 ZN	ARANDELA 25 X35 X2,5 ZN	SAIBA 25X 35X 2,5 ZN
12	F01230144	DADO M24X 3 D982 8 ZN	NUT M24X 3 D982 8 ZN	MUTTER M24X 3 D982 8 ZN	ECROU M24X 3 D982 8 ZN	TUERCA M24X 3 D982 8 ZN	PIULITA M24X 3 D982 8 ZN
13	F01020205	VITE M14X2X65 U5737 8.8 ZN	BOLT M14X2X65 U5737 8.8 ZN	SCHRAUBE M14X2X65 U5737 8.8 ZN	VIS M14X2X65 U5737 8.8 ZN	TORNILLO M14X2X65 U5737 8.8 ZN	SURUB M14X2X65 U5737 8.8 ZN
14	F01230073	DADO M14X 2 D982 8 ZN	SELF LOCK. NUT M14X2 D982 8 ZN	SELBSTSP.MUTT. M14X2 D982 8 ZN	ECROU AUTOBL. M14X2 D982 8 ZN	TUERCA AUTOBL. M14X2 D982 8 ZN	PIULITA AUT. M14X2 D982 8 ZN
15	F20100137	PERNO D28 L124 C43 ZN	PIN D.28 L124 C43 ZN	BOLZEN D.28 L124 C43 ZN	BOULON D.28 L124 C43 ZN	PERNO D.28 L124 C43 ZN	BOLT D.28 L124 C43 ZN
16	F20100063	PERNO D25 L91 C40 ZN	PIN D25 L91 C43 ZN	BOLZEN D25 L91 C43 ZN	BOULON D25 L91 C43 ZN	PERNO D25 L91 C43 ZN	BOLT D25 L91 C43 ZN
17	F01020160	VITE M12X1,75X60 U5737 8.8 ZN	BOLT M12X1,75X60 U5737 8.8 ZN	SCHRA.M12X1,75X60 U5737 8.8 ZN	VIS M12X1,75X60 U5737 8.8 ZN	TORN. M12X1,75X60 U5737 8.8 ZN	SURUB M12X1,75X 60 5737 8.8 ZN
18	F01230059	DADO M12X1,75 D982 8 ZN	NUT M12X1,75 D982 8 ZN	MUTTER M12X1,75 D982 8 ZN	ECROU M12X1,75 D982 8 ZN	TUERCA M12X1,75 D982 8 ZN	PIULITA M12X1,75 D982 8 ZN
19	F01020566	VITE M16X2X40 U5739 8.8 ZN	BOLT M16X2X40 U5739 8.8 ZN	SCHRAUBE M16X2X40 U5739 8.8 ZN	VIS M16X2X40 U5739 8.8 ZN	TORNILLO M16X2X40 U5739 8.8 ZN	SURUB M16X2X40 U5739 8.8 ZN
20	F01230085	DADO M16X 2 D982 8 ZN	NUT M16X 2 D982 8 ZN	MUTTER M16X 2 D982 8 ZN	ECROU M16X 2 D982 8 ZN	TUERCA M16X 2 D982 8 ZN	PIULITA M16X 2 D982 8 ZN
21	F02200507	SPINA A SCATTO D 9 B/83	SNAP PIN D9 B/83 ZN	EINRASTSTIFT D9 B/83 ZN	FICHE A DETENTE D9 B/83 ZN	CLAVIJA DE MUELLE D9 B/83 ZN	STIFT RESORT D9 B/83 ZN
22	R17812960	TUB 70X 8X 1600	PIPE 70X 8X 1600	ROHR 70X 8X 1600	TUBE 70X 8X 1600	TUBO 70X 8X 1600	TUB 70X 8X 1600
23	R17812750	SUPPORTO TELAIO SX	FRAME SUPPORT LEFT	RAHMENHALTERUNG LINK	SUPPORT CHASSIS GAUCHE	SOPORTE BASTIDOR IZQUIERDA	SUPPORT SASIU SX
24	R17812740	SUPPORTO TELAIO DX	FRAME SUPPORT RIGHT	RAHMENHALTERUNG RECHT	SUPPORT CHASSIS DROIT	SOPORTE BASTIDOR DERECHA	SUPPORT SASIU DX
25	R17812950	TELAIO	FRAME	RAHMENHALTERUNG	CH-SSIS	BASTIDOR	ANS.SASIU
26	R17812530	ASS.SUPPORTO	ASS. SUPPORT FRAME PINOCCHIO	HALTERUNG ZUSAMMENBAU	ASSEMBLEE SUPPORT	ASAMBLEA SUPPORTO	ANS. SUPPORT SASIU PINOCCHIO
27	R17812630	TUBO 70X 8X 1900	PIPE 70X 8X 1900	ROHR 70X 8X 1900	TUBE 70X 8X 1900	TUBO 70X 8X 1900	TUB 70X 8X 1900
28	R17812590	ASS. TUBO TELAIO PINOCCHIO 200	ASS. PIPE FRAME PINOCCHIO 200	RAHMENHALTERUNG	ANS. TUBE CHASSI PINOCCHIO 200	BASTIDOR	ANS. TUB SASIU PINOCCHIO 200
29	R17812880	TUBO 70X 8X 2300	PIPE 70X 8X 2300	ROHR 70X 8X 2300	TUBE 70X 8X 2300	TUBO 70X 8X 2300	TUB 70X 8X 2300
30	R17810141	ASS.TELAIO 2370	FRAME 2370	HALTERUNG 2370	SUPPORT 2370	SOPORTE BASTIDOR 2370	ANS.SASIU 2370
31	R17812890	TUBO 70X 8X 2900	PIPE 70X 8X 2900	ROHR 70X 8X 2900	TUBE 70X 8X 2900	TUBO 70X 8X 2900	TUB 70X 8X 2900
32	R17810461	ASSIEME TELAIO ANTERIORE L2920	FRAME FRONT L2920	VORDERRAHMEN L2920	CHASSIS AVANT L2920	BASTIDOR DELANTERO L2920	ANSAMBLU SASIU ANTERIOR L2920
33	R17810380	ASS.PUNTELLO	PROP	STUTZE	ETRESILLON	PUNTAL	PICIOR
34	R17815722	SUPPORTO CARPENTERIA	ASSEMBLY SUPPORT	HALTERUNG ZUSAMMENBAU	ASSEMBLE SUPPORT	ASAMBLEA SUPPORTO	ANSAMBLU SUPORT
35	R17810441	PERNO D20 L110 ZN	BOLT D20 L110 ZN	BOLZEN D20 L110 ZN	BOULON D20 L110 ZN	PERNO D20 L110 ZN	BOLT D20 L110 ZN

TAV. 020



NOTE:

Vite M14 (pos. 6 e 7): coppia serraggio 130-140 Nm
 Driving torque for bolt M14 (pos. 6 & 7) 130-140 Nm
 Strangerea surubului M14 (poz. 6 si 7) 130-140 Nm

Vite M24 (rotazione): coppia serraggio 650-700 Nm
 Driving torque for bolt M24 (rotation) 650-700 Nm
 Strangerea surubului M24 (de rotire) 650-700 Nm

Vite M24 (fissaggio): coppia serraggio 700-800 Nm
 Driving torque for bolt M24 (fixing) 700-800 Nm
 Strangerea surubului M24 (fixare) 700-800 Nm

**ELEMENTO OPERATORE / OPERATOR ELEMENT / BETREIBER ELEMENTE / ELEMENT OPERATEUR / ELEMENTO OPERADORE /
ELEMENT OPERATOR**

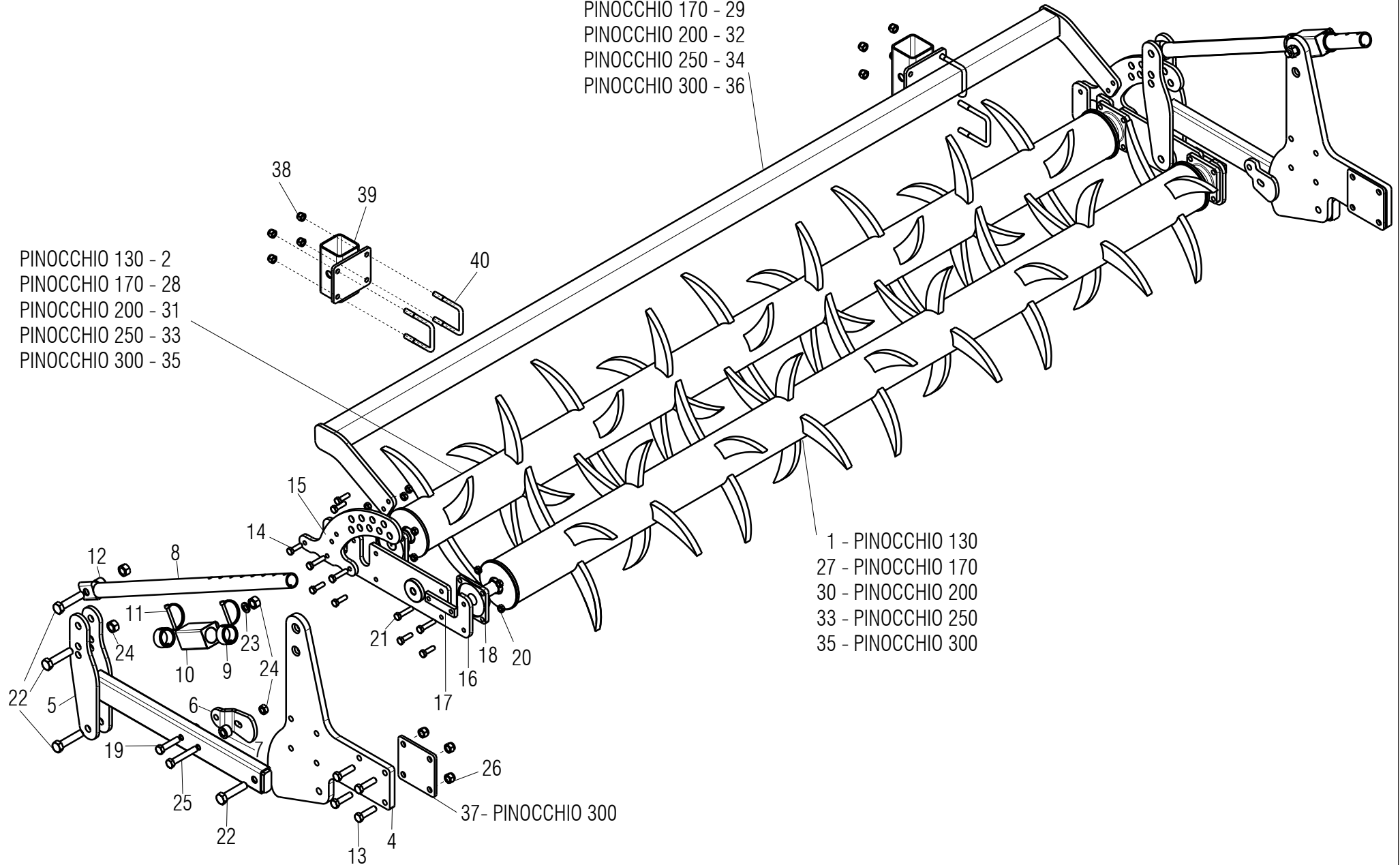
TAV. 020

Pos.	Cod.	Descrizione	Description	Benennung	Description	Descripcion	Descriere
1	R17820280	SUPPORTO ANCORA	TINE SUPPORT	SPITZE HALTERUNG	SUPPORT EMBOUT	SOPORTE PUNTAL	SUPORT VARF
2	R17820561	ANCORA ATTILA \ PINOCCHIO	TINE ATTILA \ PINOCCHIO	SPITZE ATTILA \ PINOCCHIO	EMBOUT ATTILA \ PINOCCHIO	PUNTAL ATTILA \ PINOCCHIO	ANCORA ATTILA \ PINOCCHIO
3	R17820681	DENTE ATTILA PINOCCHIO	TOOTH ATT/PIN REVERS. 2 HOLES	ZAHN ATT/PIN REVERS. 2 LOCH	DENT ATT/PIN REVERS. 2 TROU	DIENTE ATT/PIN REVERS.2 AGUJER	DINTE ATT/PIN REVERS. 2 GAURI
4	R17820411	LAME ROMPIZOLLE	CLOD-BREAKER ATTILA/PINOCCHIO	SCHOLLENBRECHER ATTILA/PINOC.	BRISE-MOTTES ATTILA/PINOCCHIO	DESTERRONADOR ATTILA/PINOCCHIO	SPARGATOR BRAZDA ATTILA/PINOC
5	F01020164	VITE M12X1,75X70 U5737 8.8ZN	SCR. M12X1,75X70 U5737 8.8ZN	SCHR. M12X1,75X70 U5737 8.8 ZN	VIS M12X1,75X70 U5737 8.8 ZN	TORN. M12X1,75X70 U5737 8.8 ZN	SURUB M12X1,75X70 U5737 8.8 ZN
6	F01020207	VITE M14X2X70 U5737 8.8ZN	SCR. M14X2X70 U5737 8.8ZN	SCHRAUBE M14X2X70 U5737 8.8 ZN	VIS M14X2X70 U5737 8.8 ZN	TORNILLO M14X2X70 U5737 8.8 ZN	SURUB M14X 2X 70 U5737 8.8 ZN
7	F01020214	VITE M14X2X100 U5737 8.8ZN	SCREW M14X 2X100 U5737 8.8 ZN	SCHRAU. M14X2X100 U5737 8.8 ZN	VIS M14X 2X100 U5737 8.8 ZN	TORNIL. M14X2X100 U5737 8.8 ZN	SURUB M14X 2X100 U5737 8.8 ZN
8	F01260046	DADO M14 D6923 8ZN	NUT M14 D6923 8ZN	MUTTER M14 D6923 8 ZN	ECROU BRIDE M14 D6923 8 ZN	TUERCA FL. M14 D6923 8 ZN	PIULITA FLANG.M14 D6923 8 ZN
9	F01230073	DADO M14X2 D982 8ZN	NUT M14X2 D982 8ZN	SELBSTSP.MUTT. M14X2 D982 8 ZN	ECROU AUTOBL. M14X2 D982 8 ZN	TUERCA AUTOBL. M14X2 D982 8 ZN	PIULITA AUT. M14X2 D982 8 ZN
10	F01020369	VITE M24X3X90 U5737 10.9ZN	SCR. M24X3X90 U5737 10.9ZN	SCHR. M24X 3X 90 U5737 10.9ZN	VIS M24X 3X 90 U5737 10.9ZN	TORN.M24X 3X 90 U5737 10.9ZN	SURUB M24X 3X 90 U5737 10.9ZN
11	G18701590	RONDELLA 25X35X2,5 ZN	WASHER 25 X35 X2,5 ZN	SCHEIBE 25 X35 X2,5 ZN	RONDELLE 25 X35 X2,5 ZN	ARANDELA 25 X35 X2,5 ZN	SAIBA 25X 35X 2,5 ZN
12	F01230144	DADO M24X3 D982 8ZN	NUT M24X3 D982 8ZN	MUTTER M24X 3 D982 8 ZN	ECROU M24X 3 D982 8 ZN	TUERCA M24X 3 D982 8 ZN	PIULITA M24X 3 D982 8 ZN
13	M74100435	ZAPPA EL DX "B" SP.10	HELICOIDAL BLADE 10 MM RIGHT	RECHT BOGENMESSER 10MM	LAME HELICE DROIT 10MM	AZADA HELICE DERECHA 10MM	SAPA ELICOIDALA DX 10MM
14	M74100436	ZAPPA EL SX "B" SP.10	HELICOIDAL BLADE 10 MM LEFT	LINK BOGENMESSER 10MM	LAME HELICE GAUCHE 10MM	AZADA HELICE IZQUIERDA 10MM	SAPA ELICOIDALA SX 10MM
15	F01020077	VITE M8X1,25X60 U5737 8.8ZN	SCR. M8X1,25X60 U5737 8.8ZN	SCHRAU. M8X1,25X60 U5737 8.8ZN	VIS M8X1,25X60 U5737 8.8 ZN	TORN. M8X1,25X60 U5737 8.8 ZN	SURUB M8X1,25X60 U5737 8.8 ZN
16	F01230034	DADO M8X1,25 D982 8	NUT M8X1,25 D982 8	MUTTER M8X 1,25 D982 8 ZN	ECROU M8X 1,25 D982 8 ZN	TUERCA M8X 1,25 D982 8 ZN	PIULITA M8X 1,25 D982 8 ZN
17	F01230059	DADO M12X1,75 D982 8ZN	NUT M12X1,75 D982 8ZN	SICHERUNGSMUTTER M12 D982 ZN	ECROU AUTO-FREINES M12 D982 ZN	TUERCA DE SEGURIDAD M12 D982ZN	PIULITA M12X 1,75 D982 8 ZN
18	F01200306	DADO M14X2 U5588 6.8ZN	NUT M14X2 U5588 6.8ZN	MUTTER M14X2	ECROU M14X2	DADO M14X2	PIULITA M14X2 5588 6S ZN
19	R18700280	RONDELLA D.14 D.30 SP.4	WASHER 14X30X4	SCHEIBE 14X30X4	RONDELLA 14X30X4	ARANDELA 14X30X4	SAIBA 14X30X4
20	R17820731	DENTE TUNGSTENO ATTILA-PINOC.	TOOTH TG ATTILA-PINOCCHIO	ZAHN TG ATTILA-PINOCCHIO	DENT TG ATTILA-PINOCCHIO	DIENTE TG ATTILA-PINOCCHIO	DINTE TG ATTILA-PINOCCHIO
21	F02100190	SPINA E.P. 13X50 U28752 C70 BR	ELASTIC PIN 13X50	SPANNHUELSE 13X50	GOUJON ELASTIQUE 13X50	ESPINA EL. 13X50	STIFT E.P. 13X50
22	R17820870	ZAPPA EL SX "B" SP.10 TUNG	LEFT HEL.BLADE THIKN.10 TUNG.	LINK BOGENMESS.DICKE 10 TUNG.	LAME HELICE GAUCHE EP.10 TUNG.	AZADA HEL.IZQUIER.ESP.10 TUNG.	SAPA ELICOIDALA SX SP.10 TUNGS
23	R17820860	ZAPPA EL DX "B" SP.10 TUNG	RIGHT HEL.BLADE THIKN.10 TUNG.	RECHT BOGENMESS.DICKE 10 TUNG.	LAME HELICE DROIT EP.10 TUNG.	AZADA HEL.DERECHA ESP.10 TUNG.	SAPA ELICOIDALA DX SP.10 TUNGS
24	R17820562	ANCORA ATTILA \ PINOCCHIO	TINE ATTILA \ PINOCCHIO	SPITZE ATTILA \ PINOCCHIO	EMBOUT ATTILA \ PINOCCHIO	PUNTAL ATTILA \ PINOCCHIO	ANCORA ATTILA \ PINOCCHIO
25	R17220370	DENTE ATTILA / PINOCCHIO	TOOTH ATTILA / PINOCCHIO	ZAHN ATTILA / PINOCCHIO	DENT ATTILA / PINOCCHIO	DIENTE ATTILA / PINOCCHIO	DINTE ATTILA / PINOCCHIO
26	R17220380	DENTE ATTILA / PINOCCHIO TUNG	TOOTH ATTILA/PINOCCHIO TG.	ZAHN ATTILA / PINOCCHIO TG	DENT ATTILA / PINOCCHIO TG.	DIENTE ATTILA / PINOCCHIO TG.	DINTE ATTILA / PINOCCHIO TG.
27	R17820412	ROMPIZOLLA ATTILA/PINOCCHIO	CLOD BREAKER ATTILA/PINOCCHIO	SCHOLLENBRECHER ATTILA/PIN.	BRISE-MOTTES ATTILA/PIN.	DESTERRONADOR ATTILA/PINOCCHIO	SPARGATOR BRAZDA ATTILA/PIN.
28	R17820562	ANCORA ATTILA \ PINOCCHIO	TINE ATTILA \ PINOCCHIO	SPITZE ATTILA \ PINOCCHIO	EMBOUT ATTILA \ PINOCCHIO	PUNTAL ATTILA \ PINOCCHIO	ANCORA ATTILA \ PINOCCHIO

TAV. 030

- PINOCCHIO 130 - 3
- PINOCCHIO 170 - 29
- PINOCCHIO 200 - 32
- PINOCCHIO 250 - 34
- PINOCCHIO 300 - 36

- PINOCCHIO 130 - 2
- PINOCCHIO 170 - 28
- PINOCCHIO 200 - 31
- PINOCCHIO 250 - 33
- PINOCCHIO 300 - 35



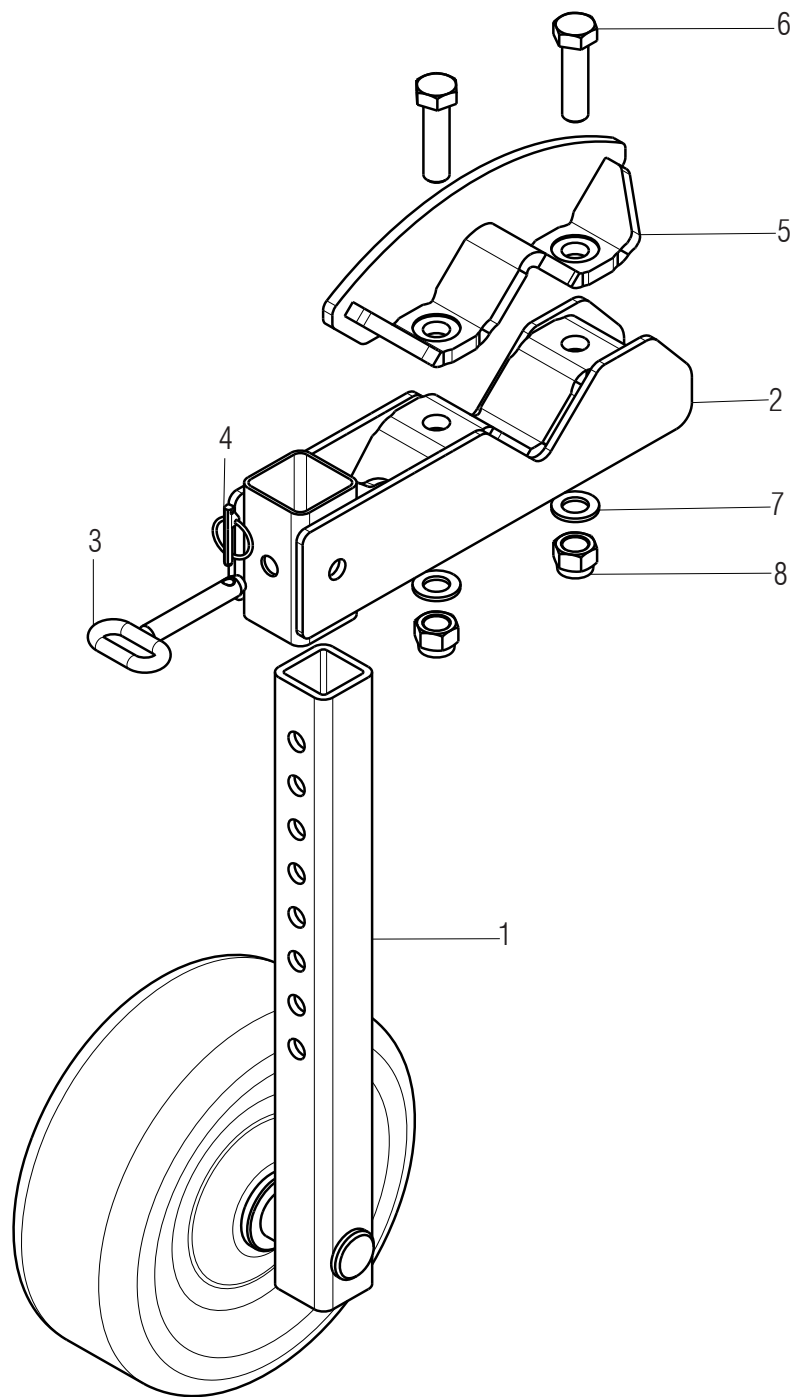
- 1 - PINOCCHIO 130
- 27 - PINOCCHIO 170
- 30 - PINOCCHIO 200
- 33 - PINOCCHIO 250
- 35 - PINOCCHIO 300

37 - PINOCCHIO 300

**DOPPIO RULLO POSTERIORE MECCANICO / MECHANICAL DOUBLE REAR ROLLER / MECHANISCHE DOPPELTE HINTERE WALZE /
DOUBLE ROULEAU POSTERIEUR MECANIQUE / DOBLE RODILLO POSTERIOR MECANICO / RULOU DUBLU POSTERIOR MECANIC**

TAV. 030

Pos.	Cod.	Descrizione	Description	Benennung	Description	Descrpcion	Descriere
1	R17814400	RULLO 20 DENTI 1,3	ROLLER 20 TEETH 1,3	20 ZAHN ROLLE 1,3	ROULEAU 20 DENTS 1,3	RODILLO DE 20 DIENTES 1,3	ANS.RULOU 1,3 20 DINTI
2	R17814410	RULLO 16 DENTI 1,3	ROLLER 16 TEETH 1,3	16 ZAHN ROLLE 1,3	ROULEAU A 16 DENTS 1,3	RODILLO DE 16 DIENTES 1,3	ANS.RULOU 1,3 16 DINTI
3	R17814420	SUPPORTO PROTEZIONE	SUPPORT GUARD	SCHUTZ	SUPPORT PROTECTION	SOPORTE PROTECCION	ANSAMBLU SUPORT PROTECTIE
4	R17815180	STAFFA SUPPORTO RULLO	ROLLER SUPPORT PLATE	ROLLE HALTERUNG PLATTE	PLAQUE SOPORTE ROULEAU	PLACA SOPORTE RODILLO	PLACA SUPORT RULOU
5	R17813140	ASS.SUPPORTO RULLO	ROLLER SUPPORT	ROLLE HALTRUNG	SUPPORT ROULEAU	SOPORTE RODILLO	ANS.SUPPORT RULOU
6	R17813130	PIATTO DI SUPPORTO	SUPPORT PLATE	HALTERUNGPLATTE	PLAQUE DE SUPPORT	PLACA DE SOPORTE	PLACA DE SUPORT
7	R17813230	BOCCOLA DISTANZIALE	BUSHING	BUCHSE	BUSHING	CASQUILLO	BUCSA DISTANTATOARE
8	R17811910	TUBO REGOLAZIONE	ADJUSTMENT PIPE	ROHR EINSTELLUNG	TUBE REGLAGE	TUBO REGULACIN	TUB REGLAJ
9	R17811960	BOCCOLA PER REGOLAZIONE ZN	BUSHING ADJUSTMENT ZN	EINSTELLBSCHSE ZN	BOITE REGLAGE ZN	CASQUILLO REGULACIN ZN	BUCSA PENTRU REGLARE ZN
10	R17811950	TUBO REGOLAZIONE ZN	ADJUSTMENT TUBE ZN	ROHR EINSTELLUNG ZN	TUBE REGLAGE ZN	TUBO REGULACIN ZN	ANSAMBLU TUB REGLARE ZN
11	F02200562	SPINA SICUR. D. 8X70 ZN	SNAP PIN D.8X 70 ZN	SCHERSTIFT D.8X 70 ZN	FICHE EL. D.8X70 ZN	CLAVIJA D.8X 70 ZN	STIFT RESORT D.8X70 ZN
12	R17812000	BOCCOLA 21,7X33,7X23 ZN	BUSHING 21,7X33,7X23 ZN	BUCHSE 21,7X33,7X23 ZN	BUSHING 21,7X33,7X23 ZN	CASQUILLO 21,7X33,7X23 ZN	BUCSA 21,7X33,7X23 ZN
13	F01020260	VITE M16X2X70 U5737 8.8 ZN	BOLT M16X2X70 U5737 8.8 ZN	SCHRAUBE M16X2X70 U5737 8.8 ZN	VIS M16X2X70 U5737 8.8 ZN	TORNILLO M16X2X70 U5737 8.8 ZN	SURUB M16X2X70 U5739 8.8 ZN
14	F01020152	VITE M12X1,75X 40 5737 8.8 ZN	BOLT M12X1,75X40 U5737 8.8 ZN	SCHR.M12X1,75X 40 U5737 8.8 ZN	VIS M12X1,75X 40 U5737 8.8 ZN	TORN.M12X1,75X 40 U5737 8.8 ZN	SURUB M12X1,75X40 U5737 8.8 ZN
15	R17813120	LAMA DI REGOLAZIONE	BLADE ADJUSTMENT	HALTERUNG MESSER	LAME REGLAGE	CUCHILLA SOPORTE	LAMA DE REGLARE
16	R17813110	ASS.SUPPORTO RULLO	ROLLER SUPPORT	ROLLE HALTERUNG	SOPORTE ROULEAU	SOPORTE RODILO	ANS.SUPPORT RULOU
17	R17813240	PIASTRA DI ATTACCO	FIXING PLATE	KUPPLUNGSPLATTE	PLAQUE DE RACCORD	PLACA DE CONEXIN	PLACA DE POZITONARE
18	F04100073	SUPPORTO CUSCINETTO FY35TF	BEARING SUPPORT FY35TF	LAGERHALTERUNG FY35TF	SUPPORT ROULEMENT FY35TF	SOPORTE COJINETE FY35TF	SUPPORT RULMENT FY35TF
19	F01020262	VITE M16X2X80 U5737 8.8 ZN	BOLT M16X2X80 U5737 8.8 ZN	SCHRAUBE M16X2X80 U5737 8.8 ZN	VIS M16X2X80 U5737 8.8 ZN	TORNILLO M16X2X80 U5737 8.8 ZN	SURUB M16X 2X 80 U5737 8.8 ZN
20	F01230059	DADO M12X1,75 D982 8 ZN	NUT M12X1,75 D982 8 ZN	MUTTER M12X1,75 D982 8 ZN	ECROU M12X1,75 D982 8 ZN	TUERCA M12X1,75 D982 8 ZN	PIULITA M12X1,75 D982 8 ZN
21	F01020160	VITE M12X1,75X60 U5737 8.8 ZN	BOLT M12X1,75X60 U5737 8.8 ZN	SCHRA.M12X1,75X60 U5737 8.8 ZN	VIS M12X1,75X60 U5737 8.8 ZN	TORN. M12X1,75X60 U5737 8.8 ZN	SURUB M12X1,75X 60 5737 8.8 ZN
22	F01020325	VITE M20X2,5X 90 U5737 10.9 ZD	BOLT M20X2,5X 90 U5737 10.9 ZD	SCHRA.M20X2,5X 90 U5737 10.9 ZD	VIS M20X2,5X 90 U5737 10.9 ZD	TORN. M20X2,5X 90 U5737 10.9 ZD	SURUB M20X2,5X 90 U5737 10.9 ZD
23	F01410124	ROS.M20 21X 37X 3 U6592 ZN	WASHER M20 21X37X3 U6592 ZN	SCHEIBE M20 21X37X3 U6592 ZN	RONDELLE M20 21X37X3 U6592 ZN	ARANDELA M20 21X37X3 U6592 ZN	SAIBA M20 21X37X3 U6592 ZN
24	F01230131	DADO M20X 2,5 D982 6 ZN	NUT M20X 2,5 D982 6 ZN	MUTTER M20X 2,5 D982 6 ZN	ECROU M20X 2,5 D982 6 ZN	TUERCA M20X 2,5 D982 6 ZN	PIULITA M20X 2,5 D982 6 ZN
25	F01020285	VITE M16X2X100 U5737 8.8 ZN	BOLT M16X2X100 U5737 8.8 ZN	SCHRA.M16X2X100 U5737 8.8 ZN	VIS M16X2X100 U5737 8.8 ZN	TORN.M16X2X100 U5737 8.8 ZN	SURUB M16X2X100 U5737 8.8 ZN
26	F01230085	DADO M16X 2 D982 8 ZN	NUT M16X 2 D982 8 ZN	MUTTER M16X 2 D982 8 ZN	ECROU M16X 2 D982 8 ZN	TUERCA M16X 2 D982 8 ZN	PIULITA M16X 2 D982 8 ZN
27	R17813480	RULLO 20 DENTI 1,7	ROLLER 20 TEETH 1,7	20 ZAHN ROLLE 1,7	ROULEAU A 20 DENTS 1,7	RODILLO 20 DIENTES 1,7	ANS.RULOU 1,7 20 DINTI
28	R17813490	RULLO 24 DENTI 1,7	ROLLER 24 TEETH 1,7	24 ZAHN ROLLE 1,7	ROULEAU A 24 DENTS 1,7	RODILLO DE 24 DIENTES 1,7	ANS.RULOU 1,7 24 DINTI
29	R17813470	SUPPORTO PROTEZIONE	SUPPORT GUARD	SCHUTZ	SUPPORT PROTECTION	SOPORTE PROTECCION	ANSAMBLU SUPORT PROTECTIE
30	R17813180	RULLO 24 DENTI 2,0	ROLLER 24 TEETH 2,0	24 ZAHN ROLLE 2,0	ROULEAU A 24 DENTS 2,0	RODILLO DE 24 DIENTES 2,0	ANS.RULOU 2,0 24 DINTI
31	R17813190	RULLO 28 DENTI 2,0	ROLLER 28 TEETH 2,0	28 ZAHN ROLLE 2,0	ROULEAU A 28 DENTS 2,0	RODILLO DE 28 DIENTES 2,0	ANS.RULOU 2,0 28 DINTI
32	R17813090	SUPPORTO PROTEZIONE	SUPPORT GUARD	SCHUTZ	SUPPORT PROTECTION	SOPORTE PROTECCION	ANSAMBLU SUPORT PROTECTIE
33	R17813361	ASS.RULLO 2,5 32 DENTI	ROLLER 2,5 32 TEETH	ROLLE 2,5 32 ZAHN	ROULEAU 2,5 32 DENTS	RODILLO 2,5 32 DIENTES	ANS.RULOU 2,5 32 DINTI
34	R17813380	SUPPORTO PROTEZIONE	SUPPORT GUARD	SCHUTZ	SUPPORT PROTECTION	SOPORTE PROTECCION	ANSAMBLU SUPORT PROTECTIE
35	R17813371	ASS.RULLO 3 36 DENTI	ROLLER 3 36 TEETH	ROLLE 3 36 ZAHN	ROULEAU 3 36 DENTS	RODILLO 3 36 DIENTES	ANS.RULOU 3 36 DINTI
36	R17813391	SUPPORTO PROTEZIONE	SUPPORT GUARD	SCHUTZ	SUPPORT PROTECTION	SOPORTE PROTECCION	ANSAMBLU SUPORT PROTECTIE
37	R17812620	PIASTRA	PLATE	PLATTE	PLAQUE	PLACA	PLACA
38	F01230059	DADO M12X1,75 D982 8 ZN	NUT M12X1,75 D982 8 ZN	MUTTER M12X1,75 D982 8 ZN	ECROU M12X1,75 D982 8 ZN	TUERCA M12X1,75 D982 8 ZN	PIULITA M12X1,75 D982 8 ZN
39	R17843580	ASSIEME SUPPORTO	ASSEMBLY SUPPORT	HALTERUNG ZUSAMMENBAU	ASSEMBLEE SUPPORT	ASAMBLEA SUPPORTO	ANSAMBLU SUPORT
40	F20110745	CAV.Q.B=70 M=12X1,75L=96	U-BOLT M12 X PIPE 70X70	VERBINDUNG M12 FUR ROHR 70X70	CAVALIER M12 POUR TUBE 70X70	PERNO EN U M12 X TUBO 70X70	BRIDA "U" M12 PT TUB 70X70 ZN



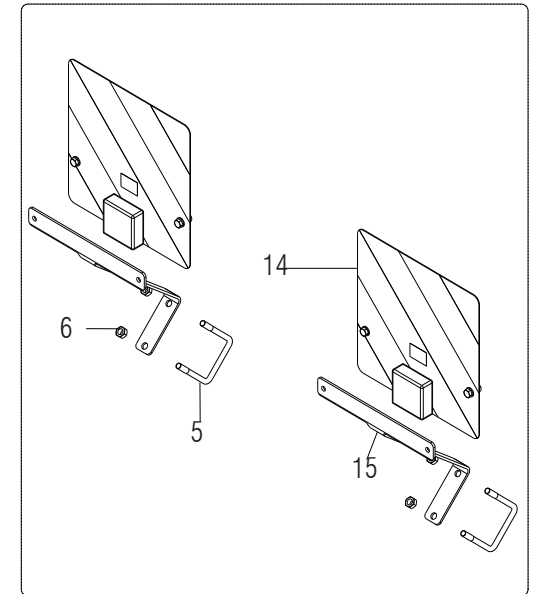
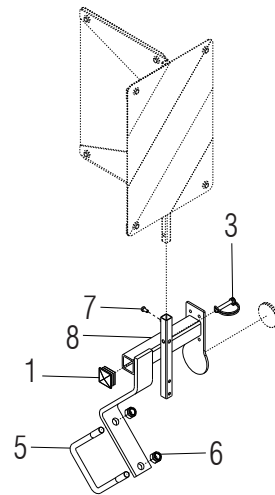
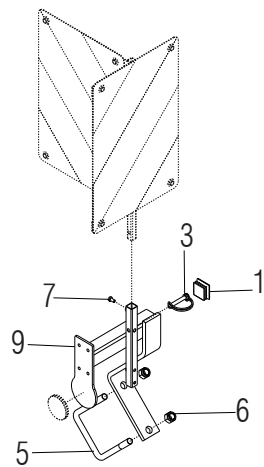
RUOTE DI PROFONDITÀ / DEPTH WHEEL / TIEFENRAD / ROUE DE PROFONDEUR / RUEDA DE PROFUNDIDAD / ROATĂ DE ADÂNCIME

TAV. 040

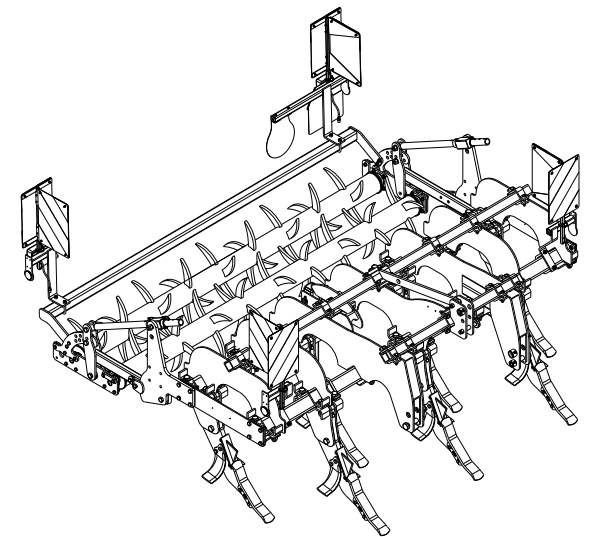
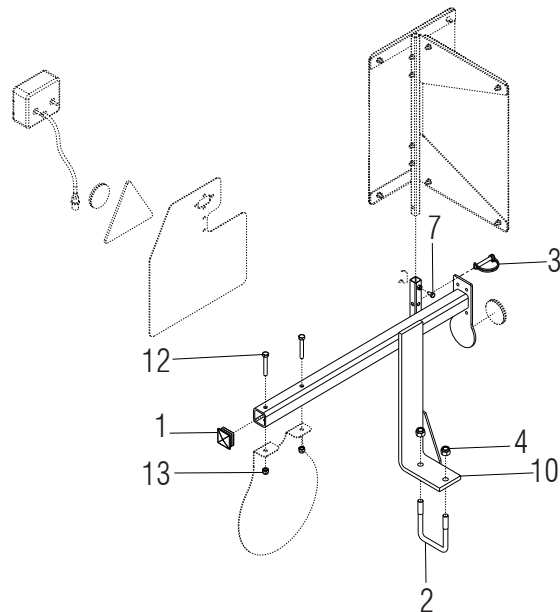
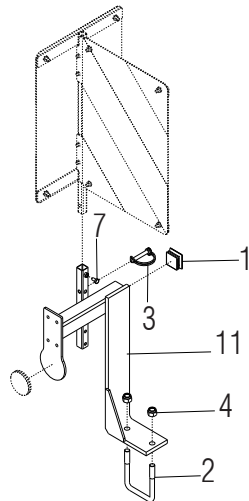
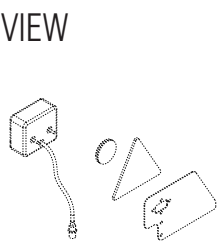
Pos.	Cod.	Descrizione	Description	Benennung	Description	Descripcion	Descriere
1	R18012160	ASS.RUOTA	ASSEMBLY WHEEL	TIEFENRAD	ASSEMBLEE ROUE	ASAMBLEA RUEDA	ANSAMBLU ROATA
2	R17815722	ASS.SUPPORTO CARPENTERIA	ASSEMBLY SUPPORT	HALTERUNG ZUSAMMENBAU	ASSEMBLE SUPPORT	ASAMBLEA SUPPORTO	ANSAMBLU SUPORT
3	R17810440	ASS.PERNO D20 L105 ZN	BOLT D20 L105 ZN	BOLZEN D20 L105 ZN	BOULON D20 L105 ZN	PERNO D20 L105 ZN	BOLT D20 L105 ZN
4	F02200507	SPINA A SCATTO D 9 B/83	SNAP PIN D9 B/83 ZN	EINRASTSTIFT D9 B/83 ZN	FICHE A DETENTE D9 B/83 ZN	CLAVIJA DE MUELLE D9 B/83 ZN	STIFT RESORT D9 B/83 ZN
5	R17821590	SCONTRO X TUBO 100	BRACKET PIPE 100	ANSCHLAG ROHR 100	BRIDE TUBE 100	EL.DE EMPALME TUBO 100	BRIDA TUB 100
6	F01020369	VIT.M24X 3X 90 U5737 10.9 ZB	BOLT M24X 3X 90 U5737 10.9ZB	SCHR. M24X 3X 90 U5737 10.9ZB	VIS M24X 3X 90 U5737 10.9ZB	TORN.M24X 3X 90 U5737 10.9ZB	SURUB M24X 3X 90 U5737 10.9ZB
7	G18701590	RONDELLA 25X35X2,5 ZN	WASHER 25 X35 X2,5 ZN	SCHEIBE 25 X35 X2,5 ZN	RONDELLE 25 X35 X2,5 ZN	ARANDELA 25 X35 X2,5 ZN	SAIBA 25X 35X 2,5 ZN
8	F01230144	DADO M24X 3 D982 8 ZN	NUT M24X 3 D982 8 ZN	MUTTER M24X 3 D982 8 ZN	ECROU M24X 3 D982 8 ZN	TUERCA M24X 3 D982 8 ZN	PIULITA M24X 3 D982 8 ZN

TAV. 050

FRONT VIEW



REAR VIEW



SUPPORTO KIT LUCI / LIGHTING KIT SUPPORT / UNTERSTÜTZUNG LICHTER KIT / SOUTIEN KIT D'ECLAIRAGE / APOYO KIT DE ILUMINACION /SUPPORT KIT LUMINI

TAV. 050

Pos.	Cod.	Descrizione	Description	Benennung	Description	Descripcion	Descriere
1	F05100023	TAPPO AD ALETTE 40X40 PLT NERO	PLUG	VERSCHLUSSPFROPFEN	BOUCHON FERMETURE	TAPONCLAUSURA	DOP PALETE 40X40 PLT NEGRU
2	F20110745	CAV.Q.B=70 M=12X1,75L=96	U BOLT Q.B=70 M=12X1,75 L=96	VERBINDUNG M12 FUR ROHR 70X70	CAVALIER M12 POUR TUBE 70X70	PERNO EN U M12 X TUBO 70X70	BRIDA "U" M12 PT TUB 70X70 ZN
3	F02200562	SPINA SICUR. D. 8X70 ZN	SNAP PIN D.8X 70 ZN	SCHERSTIFT D.8X 70 ZN	FICHE EL. D.8X70 ZN	CLAVIJA D.8X 70 ZN	STIFT RESORT D.8X70 ZN
4	F01230059	DADO M12X1,75 D982 8ZN	NUT M12X1,75 D982 8ZN	SICHERUNGSMUTTER M12 D982 ZN	ECROU AUTO-FREINES M12 D982 ZN	TUERCA DE SEGURIDAD M12 D982ZN	PIULITA M12X 1,75 D982 8 ZN
5	F20110800	CAV.R.B=100 M=16X2 L=135	U BOLT R.B=100 M=16X2 L=135	VERBI.B=100 M=16X2 L=135	ATTEL.B=100 M=16X2 L=135	PERNO U B=100 M=16X2 L=135	BRIDA "U" B=100 M=16X2 L=135
6	F01230085	DADO M16X2 D982 8ZN	NUT M16X2 D982 8ZN	MUTTER M16X 2 D982 8 ZN	ECROU M16X 2 D982 8 ZN	TUERCA M16X 2 D982 8 ZN	PIULITA M16X 2 D982 8 ZN
7	F01020398	VITE M6X1X12 U5739 8.8ZN	SCR. M6X1X12 U5739 8.8ZN	SCHRAUBE M6X 1X12 U5739 8.8 ZN	VIS M6X 1X12 U5739 8.8 ZN	TORNILLO M6X 1X12 U5739 8.8 ZN	SURUB M 6X 1X 12 U5739 8.8 ZN
8	R17640750	SUPPORTO LUCI ANTERIORE SX	SUPPORT FRONT LIGHTS LH	LINK HALTERUNG FRONT LEUCHTEN	SUPPORT PHARES AVANT GAUCHE	LUCES DE FRENTA DE APOYO IZQ.	SUPPORT LUMINI FATA SX
9	R17640521	SUPPORTO LUCI ANTERIORE DX	SUPPORT FRONT LIGHTS RH	RECHT HALTERUNG FRONT LEUCHTEN	SUPPORT PHARES AVANT DROIT	LUCES DE FRENTA DE APOYO DERECH	SUPPORT LUMINI FATA DX
10	R17640720	SUPPORTO LUCI POSTERIORE SX	SUPPORT POST. LIGHTS LH	LINK HALTERUNG POST. LEUCHTEN	SUPPORT PHARES POST. GAUCHE	LUCES APOYO ATRAS IZQ.	SUPPORT LUMINI POSTERIOR SX
11	R17640491	SUPPORTO LUCI POSTERIORE DX	SUPPORT POST. LIGHTS RH	RECHT HALTERUNG POST. LEUCHTEN	SUPPORT PHARES POST. DROIT	LUCES APOYO ATRAS DERECHA	SUPPORT LUMINI POSTERIOARE DX
12	F01020075	VITE M8X1,25X55 U5737 8.8ZN	SCR. M8X1,25X55 U5737 8.8ZN	SCHRAUBE M8X1,25X 55 U5737	VIS M8X1,25X 55 U5737 8.8 ZN	TORNILLO M8X1,25X 55 U5737	SURUB M8X1,25X 55 U5737 8.8 Z
13	F01230034	DADO M8X1,25 D982 8	NUT M8X1,25 D982 8	MUTTER M8X 1,25 D982 8 ZN	ECROU M8X 1,25 D982 8 ZN	TUERCA M8X 1,25 D982 8 ZN	PIULITA M8X 1,25 D982 8 ZN
14	M12400956	KIT LUCI	LAMP KIT LIGHTS	LAMPEN KIT LICHT	FEU KIT ECLAIRAGE	FAROL SET LUCES	FARURI SET LUMINI
15	R17640090	PIASTRA SUPPORTO LIT LUCI	BLADE SUPPORT KIT LIGHTS	MESSER HALTERUNG KIT LUCE	LAMA SUPPORT KIT LUCE	CUCHILLA SOPORTE KIT LUCE	PLACA SUPORT KIT LUMINI

**USATE SEMPRE RICAMBI ORIGINALI
ALWAYS USE ORIGINAL SPARE PARTS
IMMER DIE ORIGINAL-ERSATZTEILE VERWENDEN
EMPLOYEZ TOUJOURS LES PIECES DE RECHANGE ORIGINALES
UTILIZAR SIEMPRE REPUESTOS ORIGINALES
UTILIZAȚI ÎNTOTDEAUNA PIESE DE SCHIMB ORIGINALE**

MASCHIO GASPARDO

MASCHIO GASPARDO



F07011058

MASCHIO GASPARDO SpA
Sede legale e stabilimento produttivo
Via Marcello, 73 - 35011 Campodarsego (Padova) - Italy
Tel. +39 049 9289810
Fax +39 049 9289900
Email: info@maschio.com
www.maschionet.com

MASCHIO DEUTSCHLAND GMBH
Äußere Nürnberger Straße 5
D - 91177 Thalmässing
Deutschland
Tel. +49 (0) 9173 79000
Fax +49 (0) 9173 790079

MASCHIO GASPARDO FRANCE Sarl
1, Rue Denis Papin
F - 45240 La Ferte St. Aubin
France
Tel. +33 (0) 2.38.64.12.12
Fax +33 (0) 2.38.64.66.79

MASCHIO GASPARDO IBERICA S.L.
Ronda General Mitre, 28-30
08017 Barcelona
ESPAÑA
Tel. +34 93.81.99.058
Fax +34 93.81.99.059

MASCHIO-GASPARDO NORTH AMERICA
112 3rd Avenue East
Dewitt IA 52742 - USA
Ph. +1 563 659 6400
Fax +1 563 659 6405
www.maschio.us

MASCHIO GASPARDO SpA
Stabilimento produttivo
Via Mussons, 7 - 33075
Morsano al Tagliamento (PN) - Italy
Tel. +39 0434 695410
Fax +39 0434 695425
Email: info@gaspardo.it

ООО МАСКИО-ГАСПАРДО РУССИЯ
404126, Россия, Волгоградская область,
г.Волжский, ул.Пущкина, 117 *б*.
Тел.: +7 (8443) 203100
факс: +7 (8443) 203101
e-mail: info@maschio.ru
<http://www.maschionet.com>

MASCHIO GASPARDO ROMANIA SRL
Strada Înfrățirii, Nr. 155
315100 Chișineu - Criș, Arad
Tel. +40 257 30 70 30
Fax +40 257 30 70 40
e-mail: info@maschio.ro
<http://www.maschio.ro>

MASCHIO GASPARDO QINGDAO
South 5th road, Fuyuan Industrial Zone,
ETDZ (Huangdao), Qingdao City,
Shandong Province, P. R. China
Tel. +86 532 86918691
Fax +86 532 86918690

MASCHIO-GASPARDO TURKEY
MASCHIO-GASPARDO CANADA Inc
MASCHIO-GASPARDO CHINA
MASCHIO-GASPARDO POLAND
MASCHIO-GASPARDO UKRAINE
MASCHIO-GASPARDO BELARUS
MASCHIO-GASPARDO KOREA